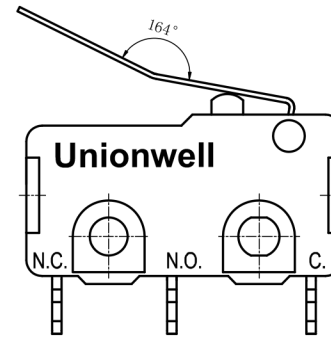
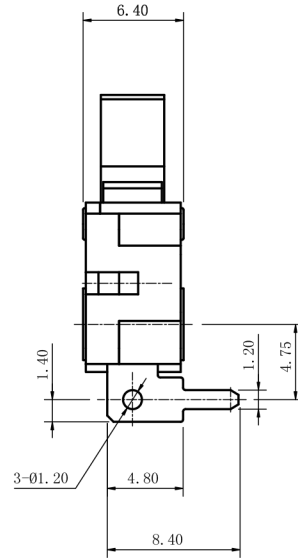
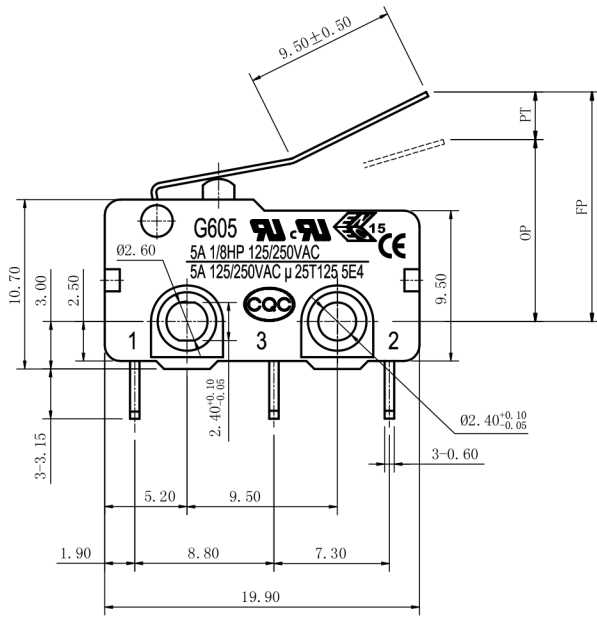


G605-150R92AU



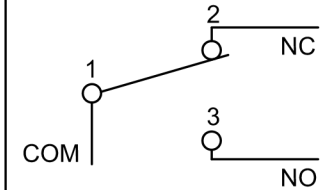
CHARACTERISITICS

Free Position:	15.00mm Max.
Operating Force:	45gf Max.
Release Force:	6gf Min.
Operation Position:	11.50±1.20mm
Pre Travel:	4.00mm Max.
Differential Travel:	1.20mm Max.
Over Travel:	1.20mm Min.

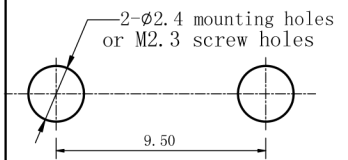
RATING

G605 **15**
5A 1/8HP 125/250VAC
5A 125/250VAC μ25T125 5E4

Circuit Diagram



Mounting holes



REV	REF	DESCRIPTION	DWN. BY	DATE
TITLE		G6 SERIES MICRO SWITCH	PAGE 1/1	VERSION REV AO
MODEL		G6	DRAWING Jiahui Xu	CHK. BY Jason Wu
PART NO.		G605-150R92AU	APP. BY Simon Chen	
TOLERANCES UNLESS OTHERWISE STATED		DATE 2024-10-23	DATE 2024-10-23	DATE 2024-10-23
DIMENSION	ANGLE	SCALE	1:1	
±0.40	±2°	UNIT	mm	